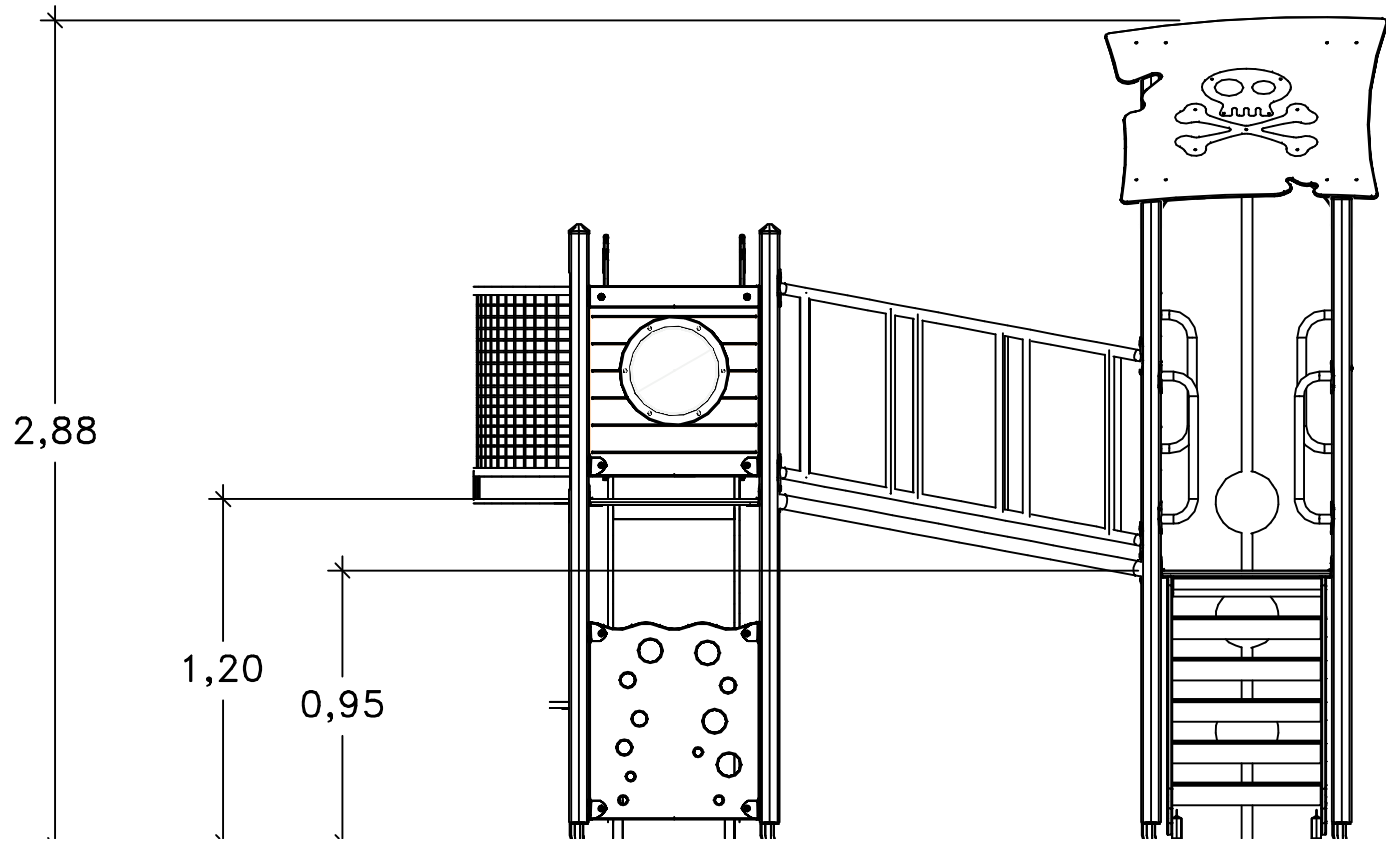
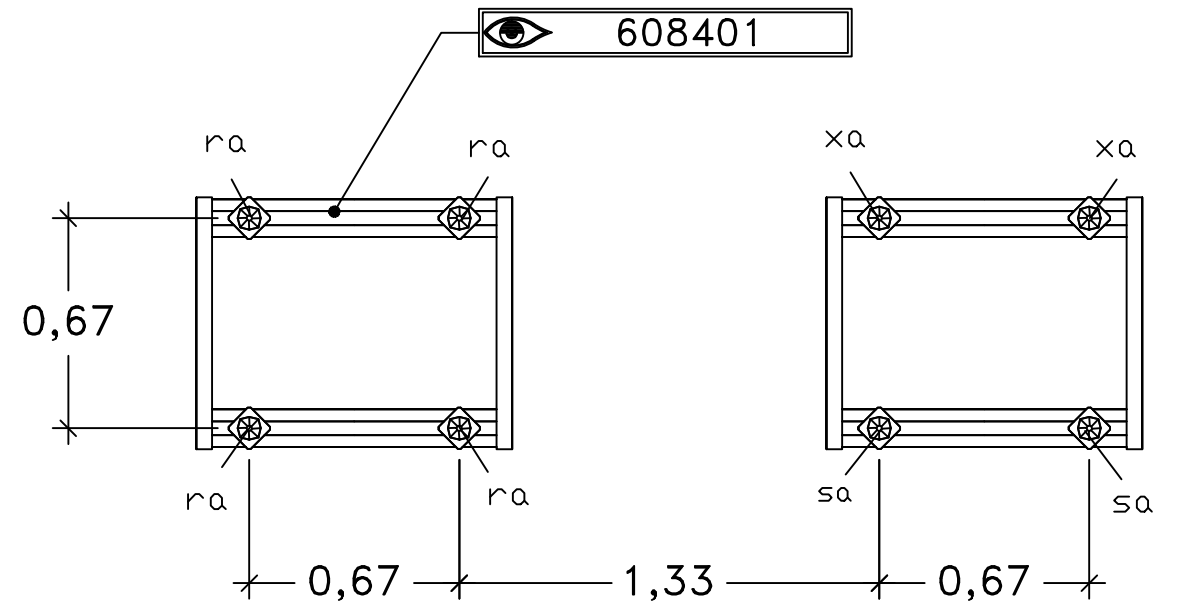
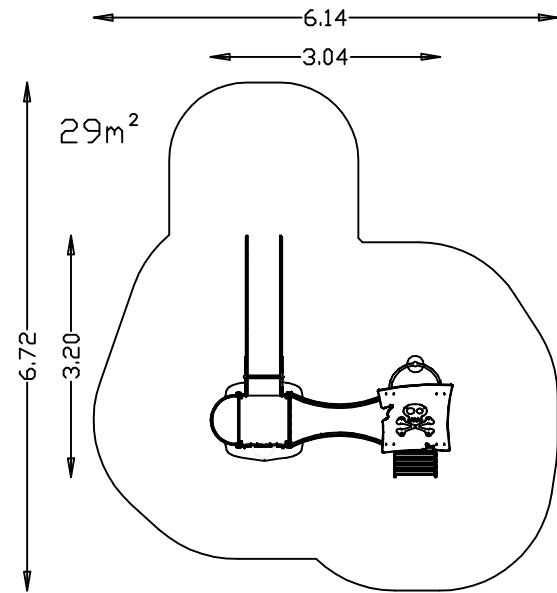


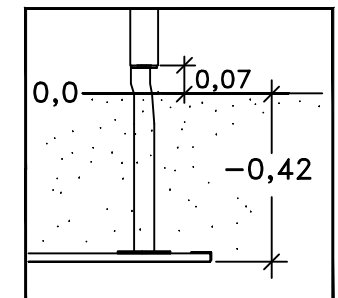
UniMini Amorette

1:100
1,0m 5,0m



Step by Step UNIMINI

1. Check the location of the window or display frame. Make sure it is level and square. If not, adjust the frame accordingly.
2. Attach the window or display frame to the wall using the supplied screws and washers. Make sure the frame is level and square.
3. Attach the window or display frame to the wall using the supplied screws and washers. Make sure the frame is level and square.
4. Attach the window or display frame to the wall using the supplied screws and washers. Make sure the frame is level and square.
5. Attach the window or display frame to the wall using the supplied screws and washers. Make sure the frame is level and square.
6. Attach the window or display frame to the wall using the supplied screws and washers. Make sure the frame is level and square.



18h



Varje vecka
Every week
Jede woche
Chaque semaine



Varje säsong
Every season
Jedes Jahr
Chaque saison

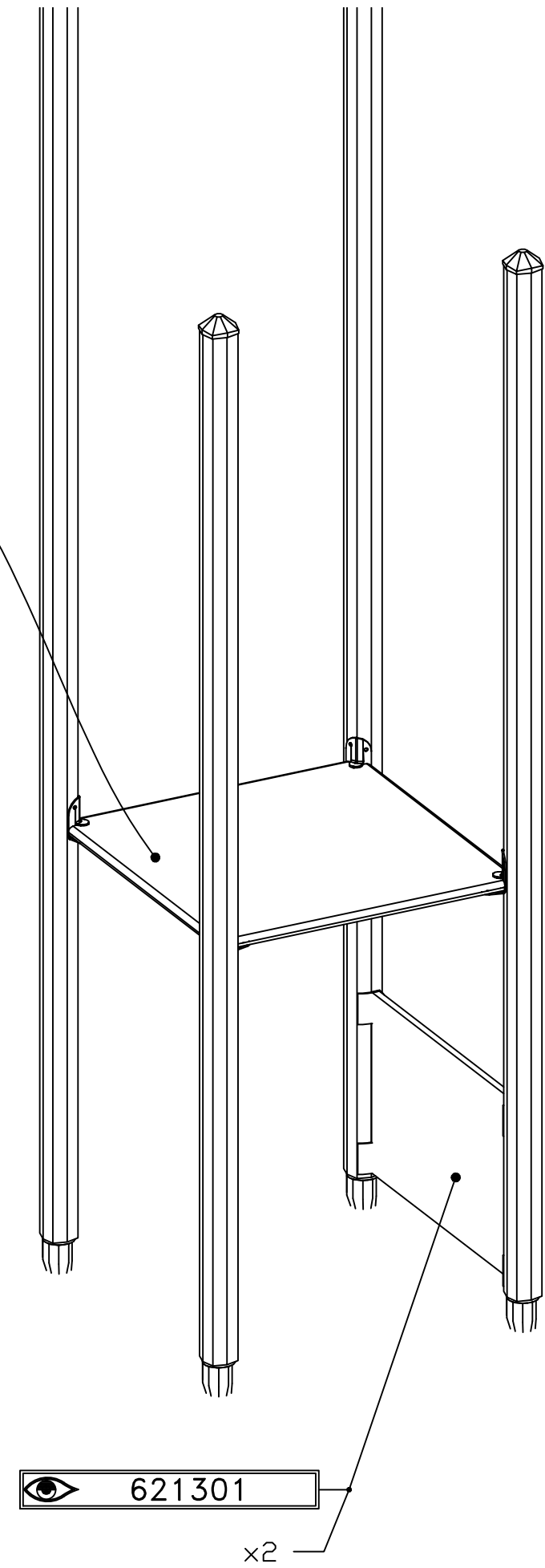
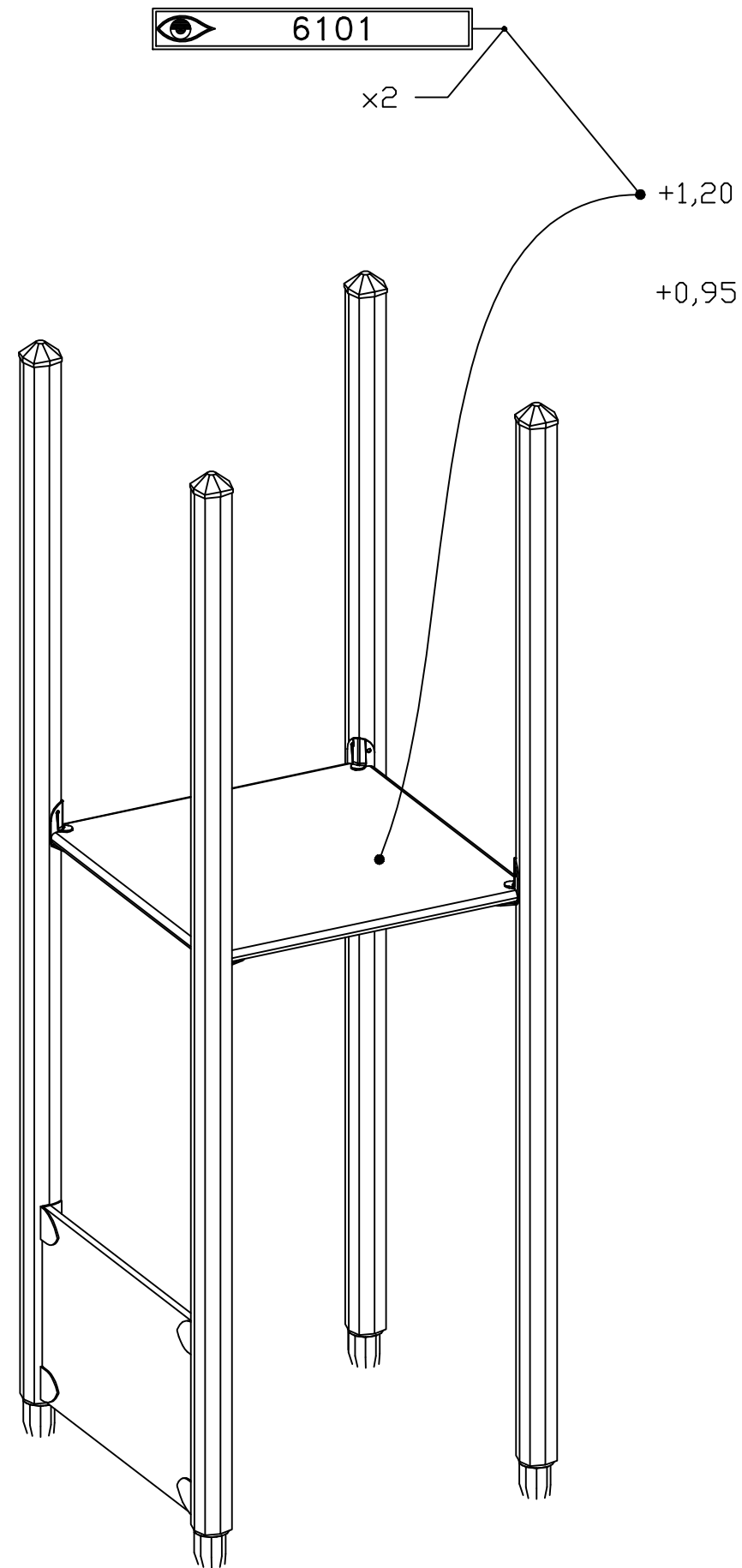
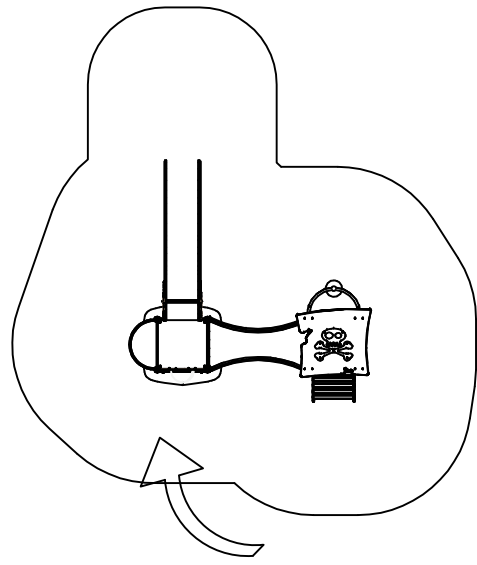


2-5

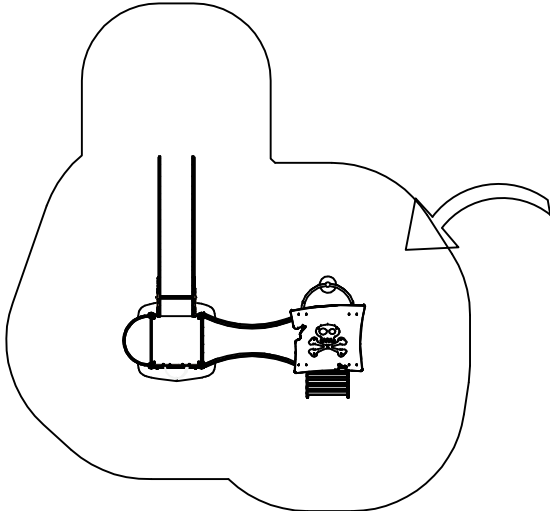
1,3 m

≥EN 1176
≥CPSC

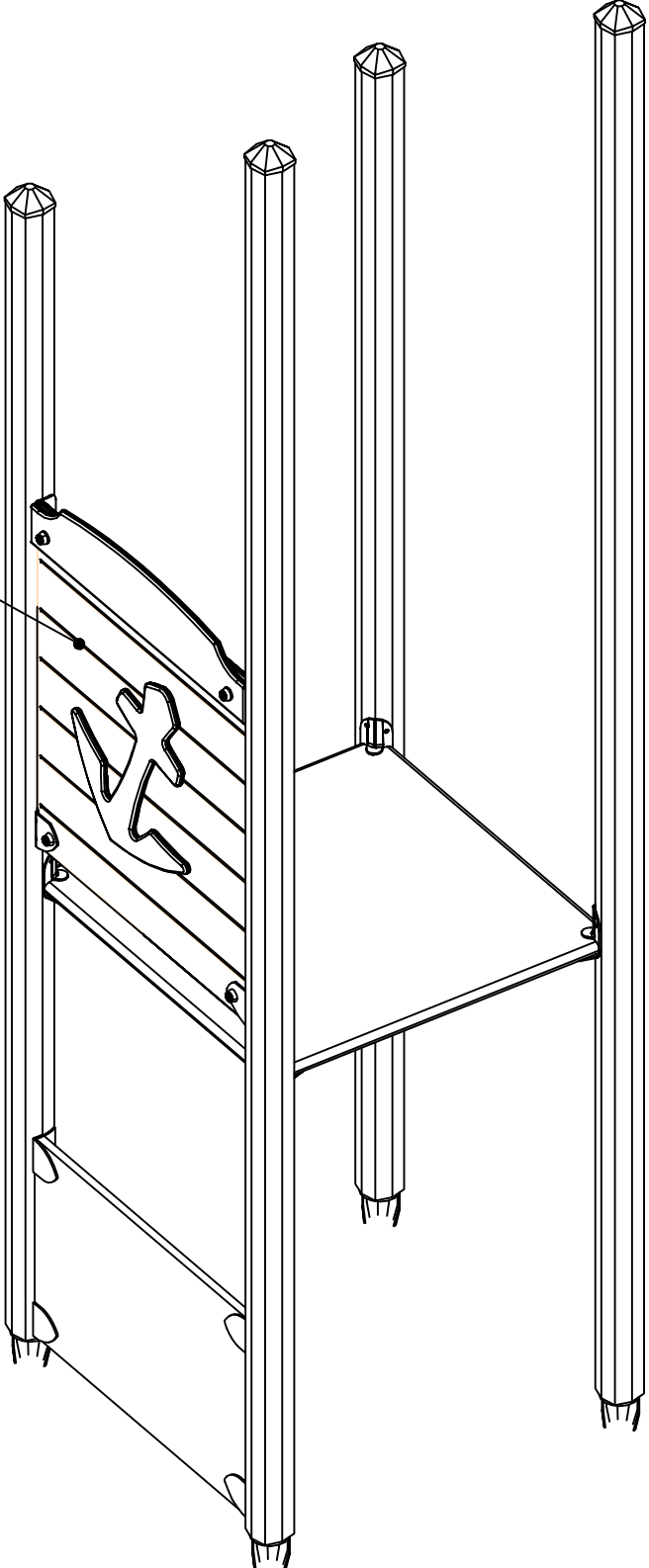
STEP 1



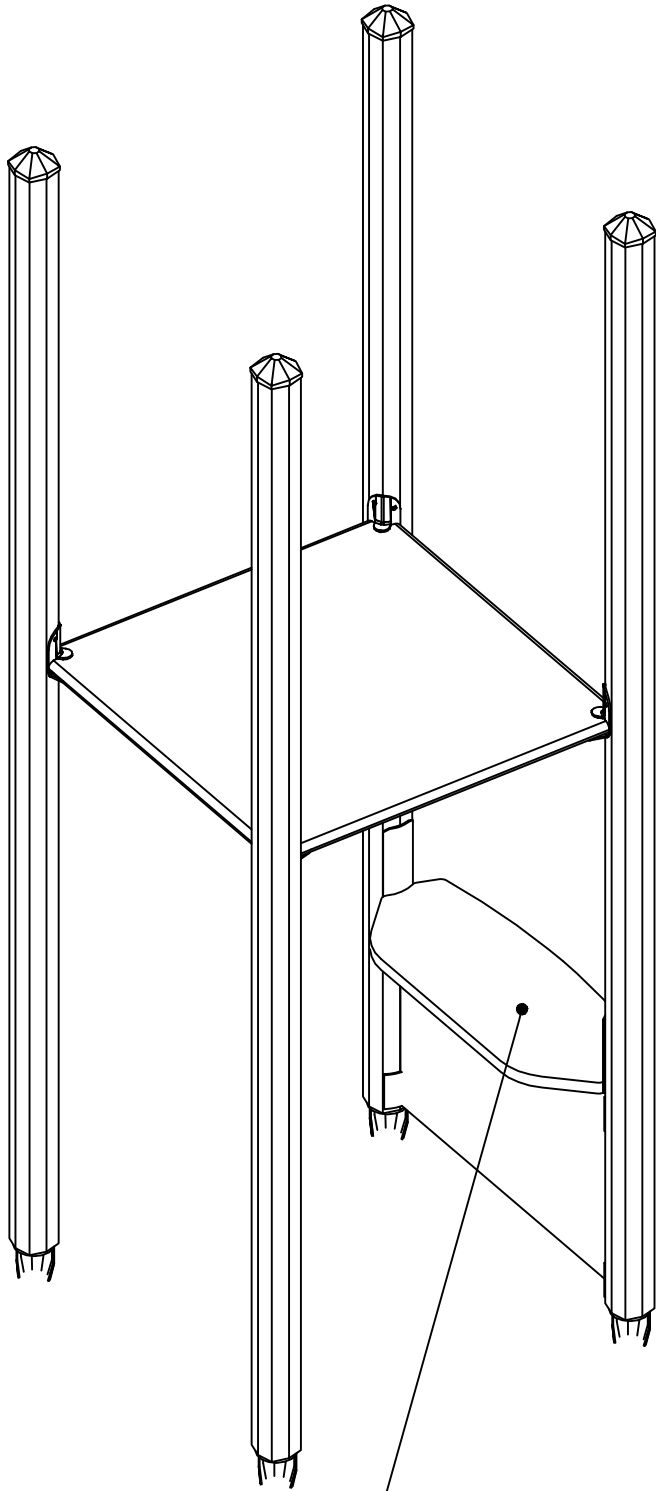
STEP 2



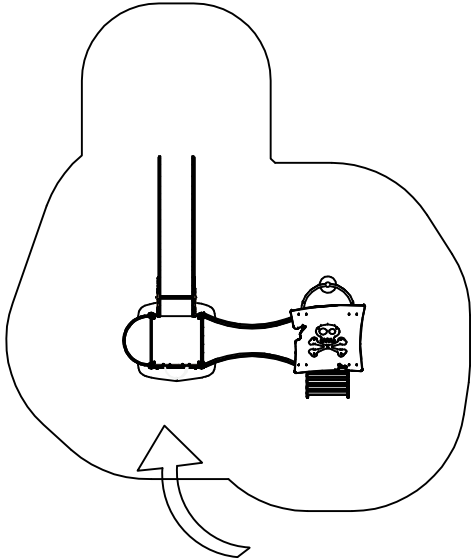
621301



695105



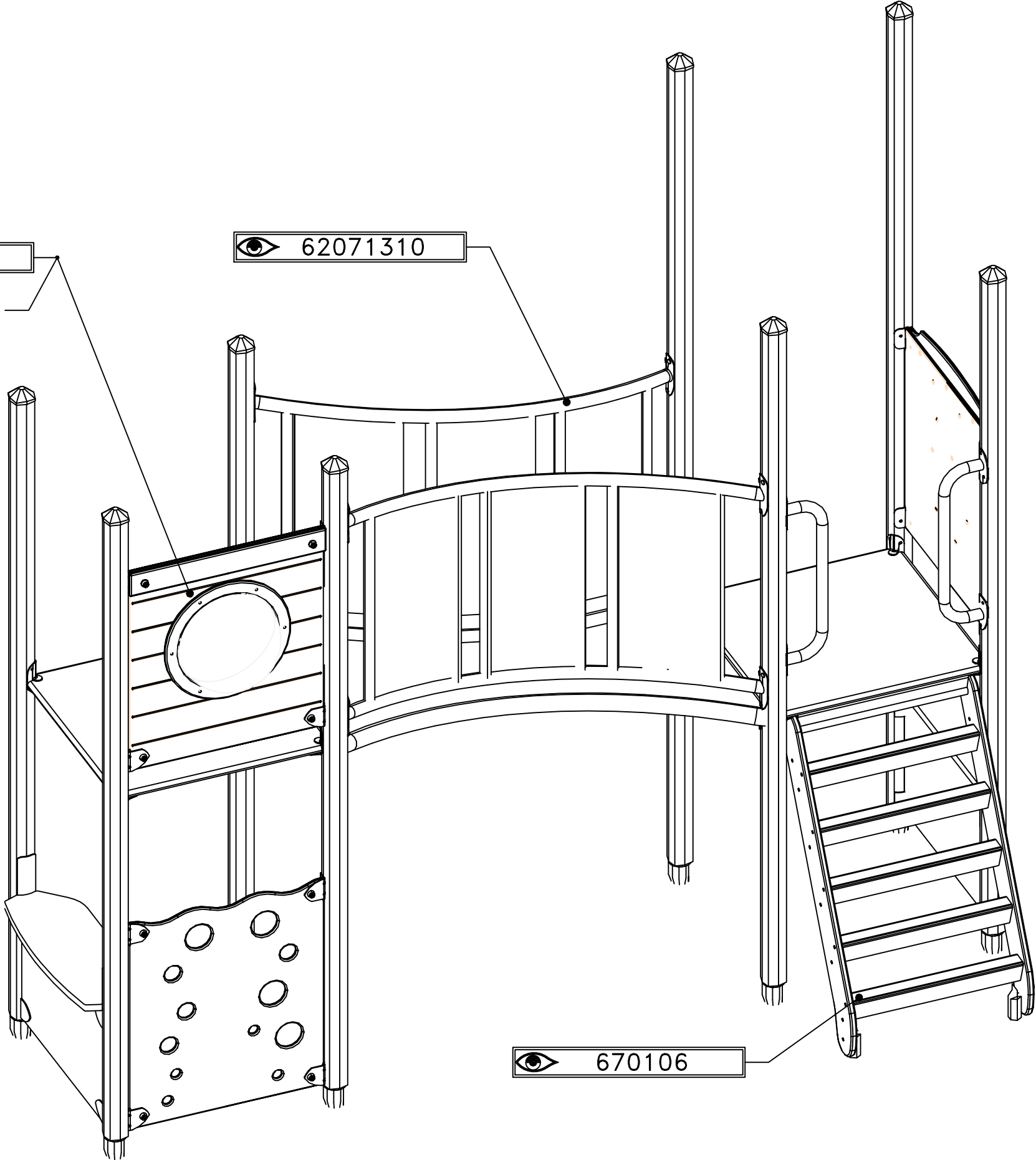
STEP 3



621301

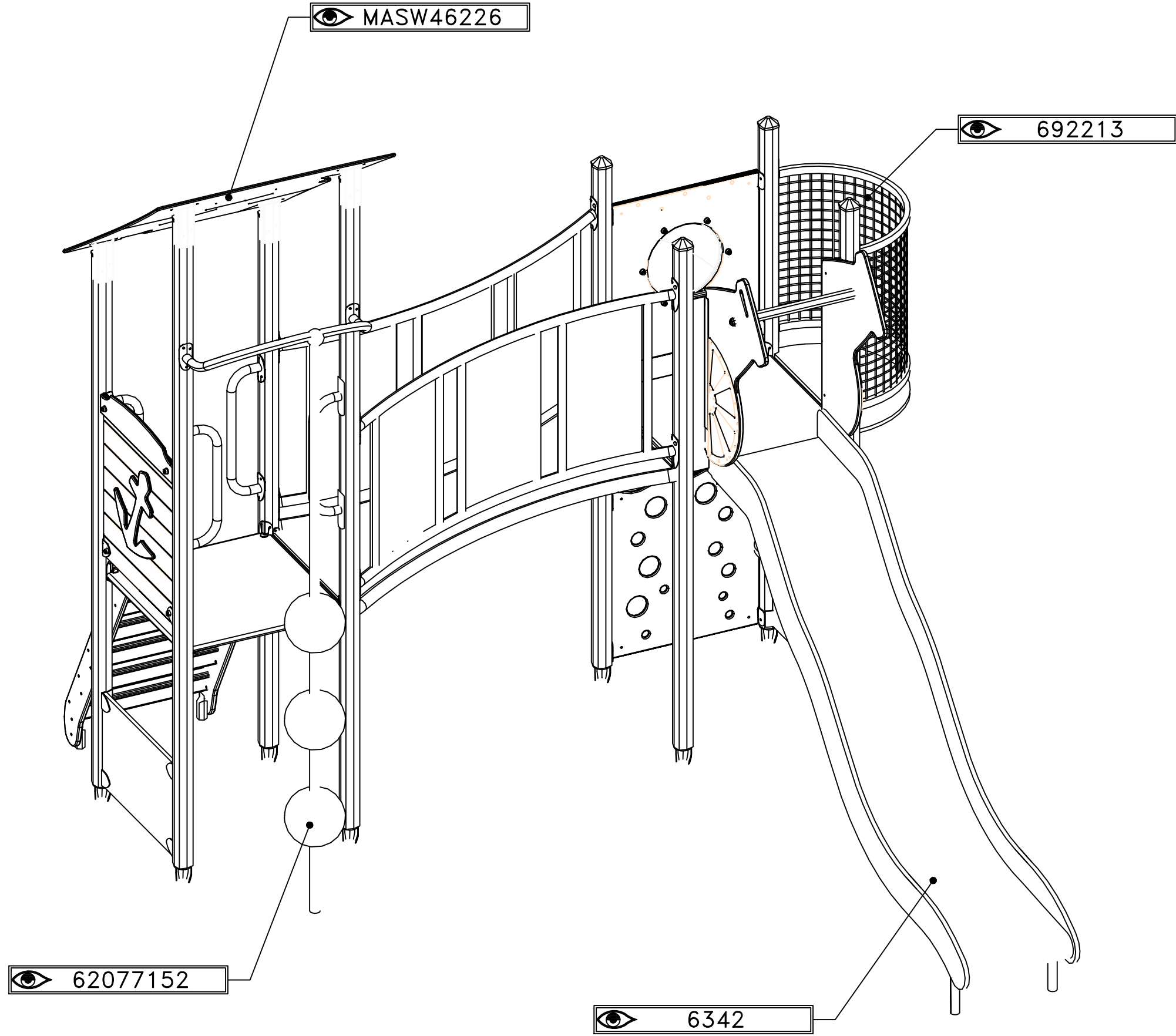
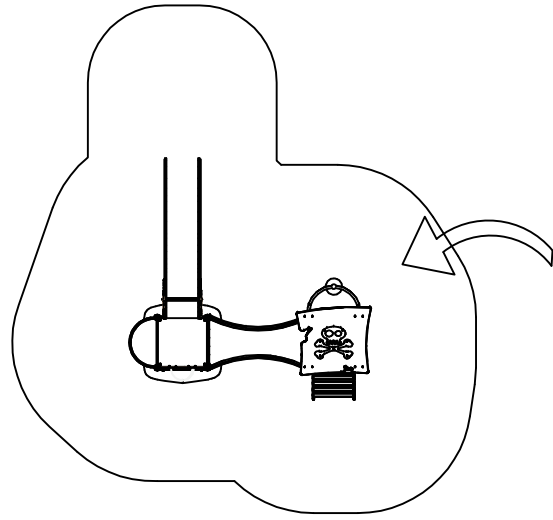
x2

62071310



670106

STEP 4



MASW46226

692213

62077152

6342